

ARGO

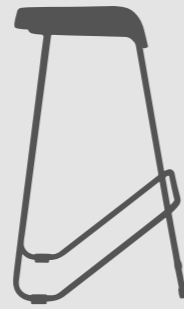
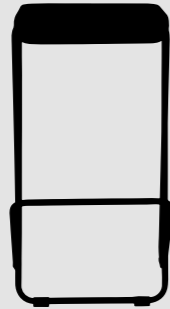
CON

TRACT

SEATING



MINIMALIST AND LIGHT



The ARGO stool stands out for its minimalist and simple design, its sinuous and elongated shapes give it an effect that contrasts the best of contemporary design and vintage style. It is a light, versatile, and adaptable stool, ideal for different spaces.

AVAILABLE FINISHES

MIX & MATCH

METAL

Grafito



Perillo Light

Arena Sahara



Amarillo

Gris



Olive

Arena Sahara



Spiced Chestnut

Yellow Clay



Sea White

SEAT

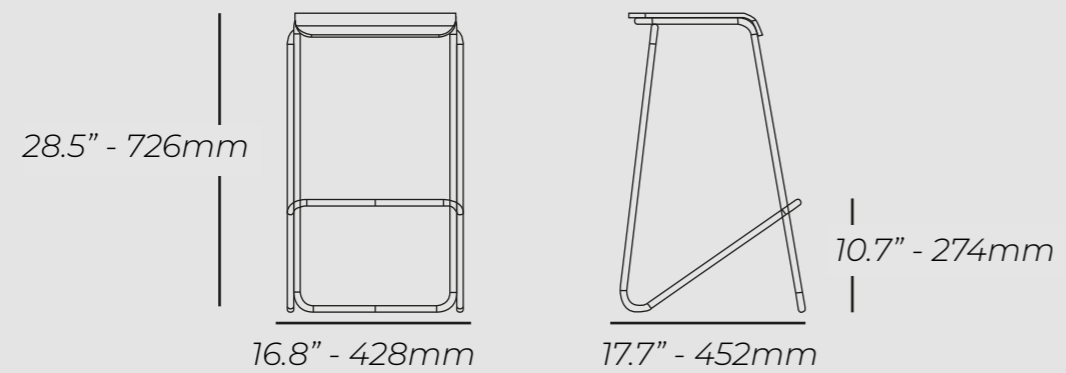
*Special colors are also available, upon special request.



ARGO



DIMENSIONS



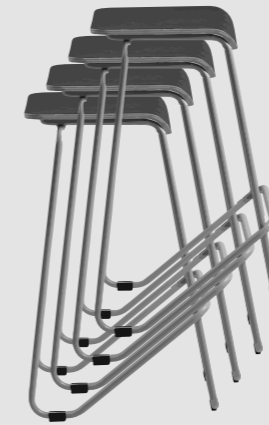
CERTIFICATIONS



The model ARGO has been tested in the internal laboratory of Inorca, according to different tests (For more details see technical sheet). There shall be no sudden and major change in the structural integrity of the product after applying a load of up to 396 lb.



STACKABILITY



ARGO can be stacked on groups of up to 4 units, one on top of the other.







*Calle 18 #118-85 Avenida Cañasgordas - 54 Cali Colombia / Tel: +57 2 4896999 -
Toll free from USA: +1 786 209 0299 / info@inorca.com.co*