

OPTIMA

PEDESTAL



TECHNICAL SPECIFICATIONS

FEATURES AND BENEFITS

FIXED OR LOUNGER VERSION

For backrest recline

NO-SAG SPRINGS

to reinforce lumbar support and bearing capacity of the cushion

FLAMABILITY

Compliance with California Technical Bulletin 117 (TB 117) and Crib 5 on some upholstery references

MANUFACTURER WARRANTY

5 years for frame, 2 years for lounger mechanism, and 1 year for accessories.

LUXURY UPHOLSTERY

Replaceable upholstery, no staples or glue needed

ACCESIBILITY

2% of seats that comply with the ADA standard

ATTIC STOCK

2% critical components for on-site inventory

ANCHORING

To footprint and counter footprint, to facilitate cleaning

DIMENSIONAL FLEXIBILITY

23" - 26" widths and 42.5" height



ACCESORIES

NUMBERING AND SIGNALING

On plastic seat cover and at the end of the row

INTEGRATED CUPHOLDER

Sized to accept standard cups and cans

UPHOLSTERED AND FOLDING ARM

Upholstered insert for forearm comfort and ADA access

3D HEADREST EFFECT

A 3D headREST for added support and comfort, with an option of embroidered logos.

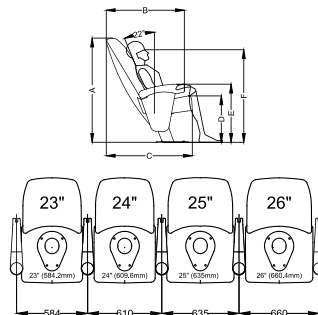
PRIVACY PANELS

Customized for social distancing purposes

DECORATIVE SEAMS

To give it a more luxurious appearance

ACCESORIES



OPTIMA PEDESTAL	Position 22°	
ITEM	DIMENSIONS	
	mm	Inches
A	1079	42.5
B	730	28.7
C	810	31.9
D	475	18.7
E	605	23.8
F	947	37.3

TECHNICAL SPECIFICATIONS

STRUCTURE

- Fixed backrest and seat, molded with cold-injected polyurethane.
- Structural frame in cold-rolled steel pipe caliber 18, $\frac{3}{4}$ " and 1" diameter.
- Plastic arms with a built-in cupholder.
- Main pedestal stand in 4" x 4" caliber 16 pipe, assembled with MIG robotic welding.
- Anchor plates to floor or riser, die-cut on cold-rolled steel sheets caliber 7 with 4 punched holes for concrete fixing.
- Last row mounted to treads.
- Available widths: 23 a 26"

OPTIONAL EXTRAS

- Arm: Fixed / Upholstered
- 3d effect on backrest upholstery for some versions.
- Plastic or embroidered numbering on row or armchair.
- Embroidered logos
- Lighting at row ending for hall illumination
- Plastic-acoustic seat cover.
- Removable base for disabled people (Tread version)
- Linear installation on radius or inclinations
- Installation on rise

Warranty

- 5 years against manufacturing defects.

MOLDED FOAM

STANDARD

Density

Back 40 - 45 Kg/m³

Cushion 45 - 50 Kg/m³

Hardness

Back 3.4 - 4.4 Kg/f

Cushion 3.9 - 4.3 Kg/f

LUXURY FIRM FOAM

Density

Back 40 - 45 Kg/m³

Cushion 45 - 50 Kg/m³

Hardness

Back 3.6 - 4.6 Kg/f

Cushion 3.9 - 4.9 Kg/f

FINISHES

Vynil Upholstery

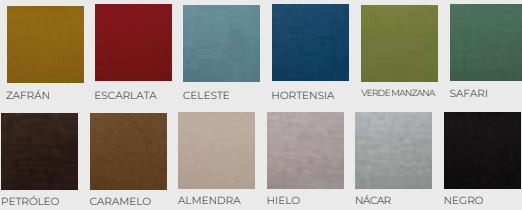
Plastic

Electrostatic
powder coating

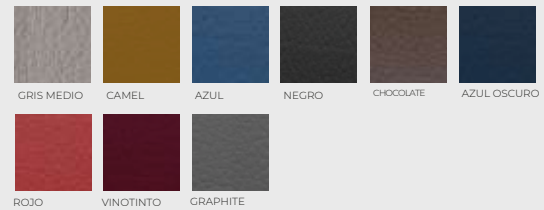


UPHOLSTERY

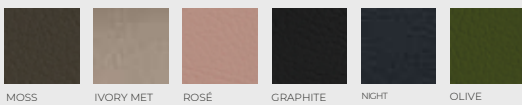
Vinyl - Pranna (Proquinal)



Vinyl - Extreme Soft Bioelastic (Proquinal)



Vinyl - Valencia (Proquinal)



*A wide range of finishes is available. Please ask for the entire finish guide.

INORCA SAS

Calle 18 #118-85 Avenida Cañasgordas - 54 Cali, Colombia
Tel: +57 602 4896999 - Toll free from USA: +1 786 209 0299 /
www.inorca.com / info@inorca.com.co

OPTIMA cinemas