

# VERONA

PEDESTAL



TECHNICAL SPECIFICATIONS

## FEATURES AND BENEFITS

### FIXED OR LOUNGER VERSION

For backrest recline

### NO-SAG SPRINGS

to reinforce lumbar support and bearing capacity of the cushion

### FLAMABILITY

Compliance with California Technical Bulletin 117 (TB 117) and Crib 5 on some upholstery references

### MANUFACTURER WARRANTY

5 years for frame, 2 years for lounger mechanism, and 1 year for accessories.

### LUXURY UPHOLSTERY

Replaceable upholstery, no staples or glue needed

### ACCESIBILITY

2% of seats that comply with the ADA standard

### ATTIC STOCK

2% critical components for on-site inventory

### ANCHORING

To footprint and counter footprint, to facilitate cleaning

### DIMENSIONAL FLEXIBILITY

23" - 26" widths and 42.5" height



## ACCESORIES

### NUMBERING AND SIGNALING

On plastic seat cover and at the end of the row

### INTEGRATED CUPHOLDER

Sized to accept standard cups and cans

### UPHOLSTERED AND FOLDING ARM

Upholstered insert for forearm comfort and ADA access

### 3D HEADREST EFFECT

A 3D headREST for added support and comfort, with an option of embroidered logos.

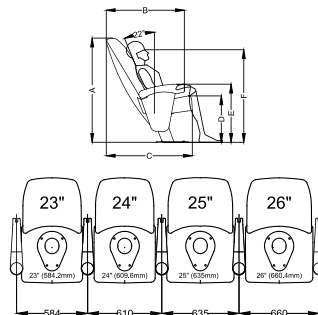
### PRIVACY PANELS

Customized for social distancing purposes

### DECORATIVE SEAMS

To give it a more luxurious appearance

## ACCESORIES



VERONA PEDESTAL	Position 22°	
ITEM	DIMENSIONS	
	mm	Inches
A	1079	42.5
B	730	28.7
C	810	31.9
D	475	18.7
E	605	23.8
F	947	37.3

## TECHNICAL SPECIFICATIONS

### STRUCTURE

- Fixed backrest and seat, molded with cold-injected polyurethane.
- Structural frame in cold-rolled steel pipe caliber 18,  $\frac{3}{4}$ " and 1" diameter.
- Plastic arms with a built-in cupholder.
- Main pedestal stand in 4" x 4" caliber 16 pipe, assembled with MIG robotic welding.
- Anchor plates to floor or riser, die-cut on cold-rolled steel sheets caliber 7 with 4 punched holes for concrete fixing.
- Last row mounted to treads.
- Available widths: 23 a 26"

### OPTIONAL EXTRAS

- Arm: Fixed / Upholstered
- 3d effect on backrest upholstery for some versions.
- Plastic or embroidered numbering on row or armchair.
- Embroidered logos
- Lighting at row ending for hall illumination
- Plastic-acoustic seat cover.
- Removable base for disabled people (Tread version)
- Linear installation on radius or inclinations
- Installation on rise

### Warranty

- 5 years against manufacturing defects.

## MOLDED FOAM

### STANDARD

#### Density

*Back 40 - 45 Kg/m<sup>3</sup>*

*Cushion 45 - 50 Kg/m<sup>3</sup>*

#### Hardness

*Back 3.4 - 4.4 Kg/f*

*Cushion 3.9 - 4.3 Kg/f*

### LUXURY FIRM FOAM

#### Density

*Back 40 - 45 Kg/m<sup>3</sup>*

*Cushion 45 - 50 Kg/m<sup>3</sup>*

#### Hardness

*Back 3.6 - 4.6 Kg/f*

*Cushion 3.9 - 4.9 Kg/f*

## FINISHES

Vynil Upholstery

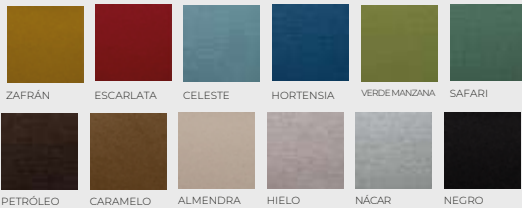
Plastic

Electrostatic  
powder coating

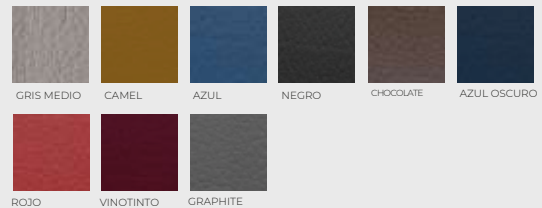


## UPHOLSTERY

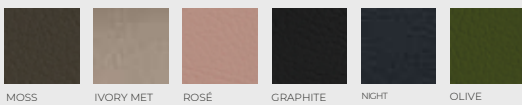
### Vinyl - Pranna (Proquinal)



### Vinyl - Extreme Soft Bioelastic (Proquinal)



### Vinyl - Valencia (Proquinal)



*\*A wide range of finishes is available. Please ask for the entire finish guide.*

### INORCA SAS

Calle 18 #118-85 Avenida Cañasgordas - 54 Cali, Colombia  
Tel: +57 602 4896999 - Toll free from USA: +1 786 209 0299 /  
[www.inorca.com](http://www.inorca.com) / [info@inorca.com.co](mailto:info@inorca.com.co)

**VERONA** cinemas